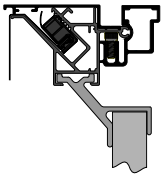
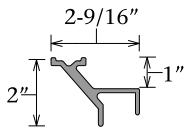
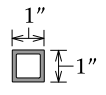
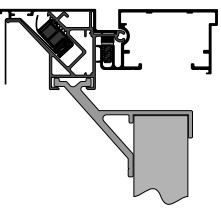
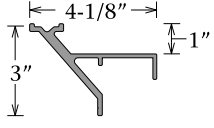
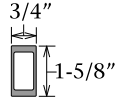
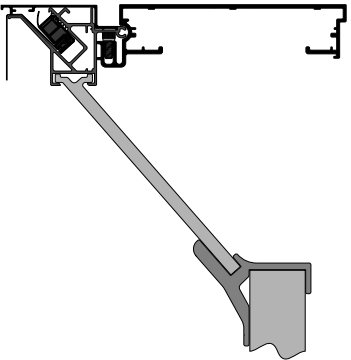
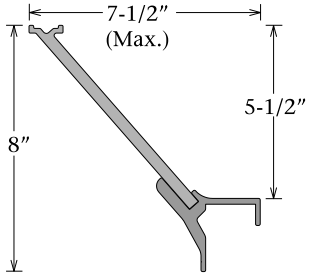




Frame Brace & Frame Support Tube Options

		Part Number	Size
	Small Frame Brace	5352	 
	Small Frame Support Tube	2177	
	Frame Brace	5350	 
	Frame Support Tube	2175	
	2 Piece Frame Brace	5357	
Frame Support Tube	2175		

Frame Brace & Frame Support Tube Placement

DUAL FRAME, TENSION FRAME & DUAL DIVIDER

Place a vertical Frame Brace and Frame Support Tube approximately every 36" on center. Cut and insert horizontal pieces of Frame Support Tube approximately every 36" in between the vertical assemblies.

RETRO FRAMES

Applications where the Retro Frame carries the compression load, placement of the Frame Brace and Frame Support Tube is the same as the Dual Frame, Tension Frame and Dual Divider.

